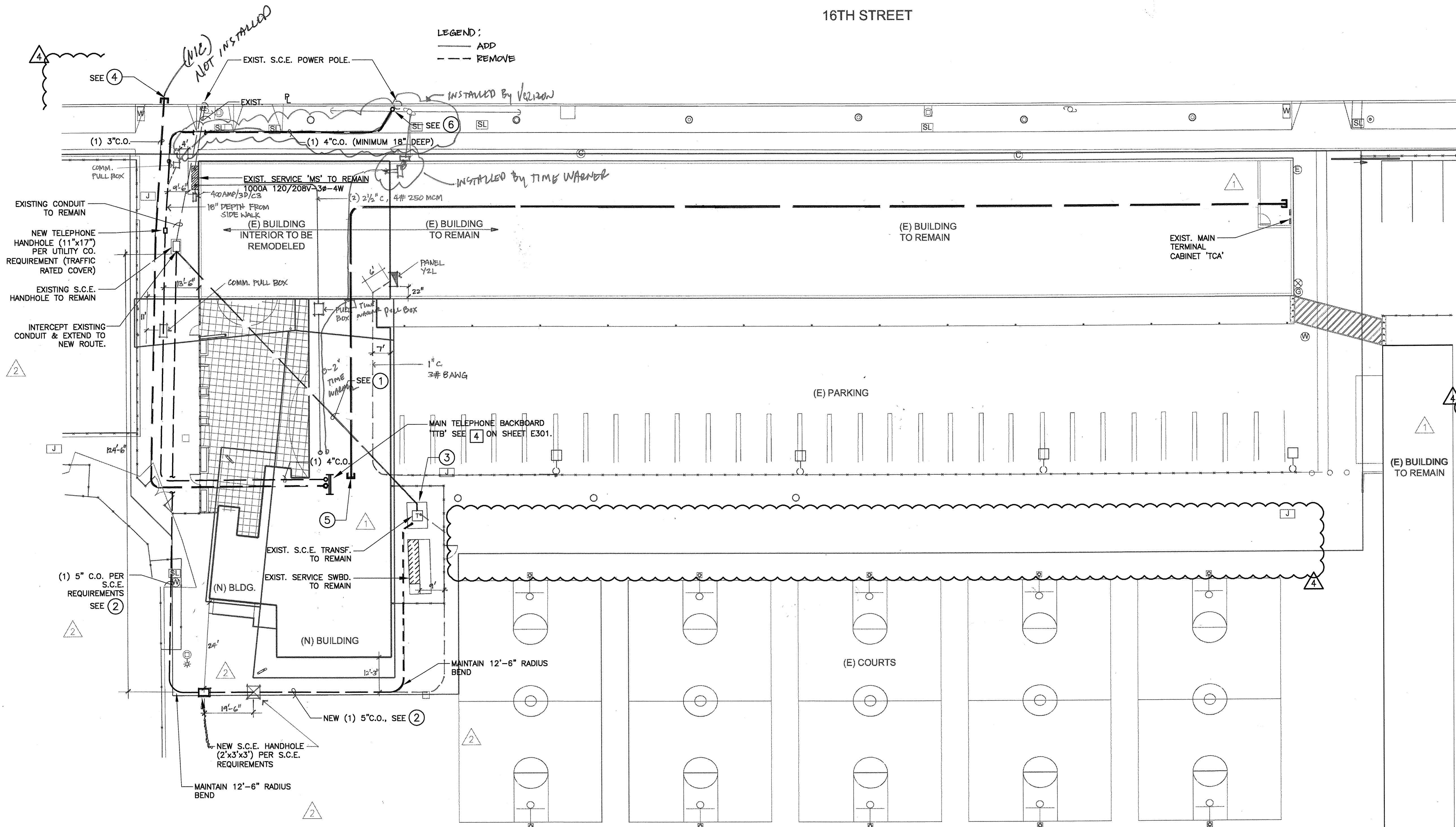


16TH STREET

LEGEND:  
 — ADD  
 - - - REMOVE



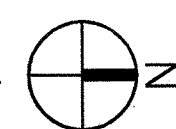
**SITE PLAN REFERENCE NOTES:**

- ① EXISTING S.C.E. HV CABLE TO BE REMOVED BY S.C.E. AND CONDUIT TO BE ABANDONED. AFTER NEW HV CABLE IS INSTALLED.
- ② PROVIDE AND INSTALL CONDUIT AROUND BUILDING PERIMETER TO FEED EXISTING TRANSFORMER. COORDINATE ALL WORK WITH S.C.E. AND INSTALL PER S.C.E. REQUIREMENTS
- ③ EXISTING TRANSFORMER AND MAIN SERVICE SWITCHGEAR TO REMAIN. ENSURE S.C.E. WORKING CLEARANCE ARE MAINTAINED AROUND NEW STRUCTURE.
- ④ CONFIRM STUB OUT LOCATION WITH LOCAL CABLE COMPANY REPRESENTATIVE PRIOR TO INSTALLATION.
- ⑤ PROVIDE AND INSTALL (2) 2" C.O. WIRE PULL WIRE BETWEEN THE BUILDING EXPANSION (TB) AND THE TERMINAL CABINET (TCA) FOR THE PA SYSTEM AND OTHER LOW VOLTAGE SYSTEMS. DATA & PHONE WIRES SHALL BE INSTALLED BY THE LOW VOLTAGE SYSTEM INSTALLER. CONFIRM OVERHEAD CONDUIT ROUTING WITH ARCHITECT PRIOR TO INSTALLATION.
- ⑥ CONFIRM STUB-OUT LOCATION WITH LOCAL TELEPHONE CO. REP. PRIOR TO INSTALLATION.

**AS BUILT**  
 Project: Jams Clubhouse  
 Subcontractor: 4/26/09  
 Contact: Paul Jones  
 Phone: [blank]  
 DREW/PLS/CONSTRUCTION | T: (310) 845-5555 | F: (310) 845-5551

**ELECTRICAL SITE PLAN**

SCALE: 1/16" = 1'-0"



**UTILITY SERVICE COORDINATION**

COMPANY:	POWER:
NAME:	S.C. EDISON
ADDRESS:	BEATRICE COLEMAN
PHONE #:	1721 22ND ST.
FAX #:	SANTA MONICA, CA. 90404
	310-315-3291

CONTRACTOR TO CONTACT ABOVE REPRESENTATIVE TO CONFIRM EXISTING UTILITY SERVICE ARRANGEMENTS AND SCHEDULE TEMPORARY AND PERMANENT SERVICE CONDITION.

**SHEET INDEX**

SHEET	DESCRIPTION
E400	ELECTRICAL SITE PLAN
E100a	PARKING LOT SITE PLAN
E401	FIRE ALARM SITE PLAN
E200	ELECTRICAL SYMBOLS, NOTES & FIXTURE SCHEDULE
E300	LIGHTING PLAN
E301	POWER AND SIGNAL PLAN
E302	ROOF PLAN
E303	FIRE ALARM FLOOR PLAN
E304	FIRE ALARM FLOOR PLAN
E400	SINGLE LINE DIAGRAM
E500	PANEL SCHEDULES
E600	ELECTRICAL DETAILS
E700	TITLE 24 CALCULATIONS
E800	PARKING LOT PHOTOMETRIC ANALYSIS
E900	OUTDOOR TITLE 24 CALCULATIONS

ALL ELECTRICAL WORK SHALL COMPLY WITH TITLE 24 PART 3-CEC-2001

**REVISIONS:**

- ① ADDENDUM #1 04.18.08
- ② ADDENDUM #2 06.03.08
- ④ BULLETIN #1 08.18.08

JOB NO: 25005

DATE: 04.25.06

SCALE: AS NOTED

SHEET TITLE:

Electrical Site Plan

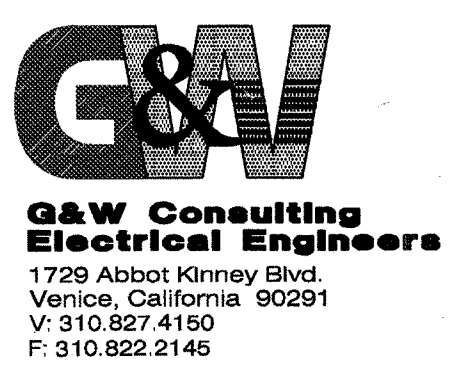
SHEET NUMBER:

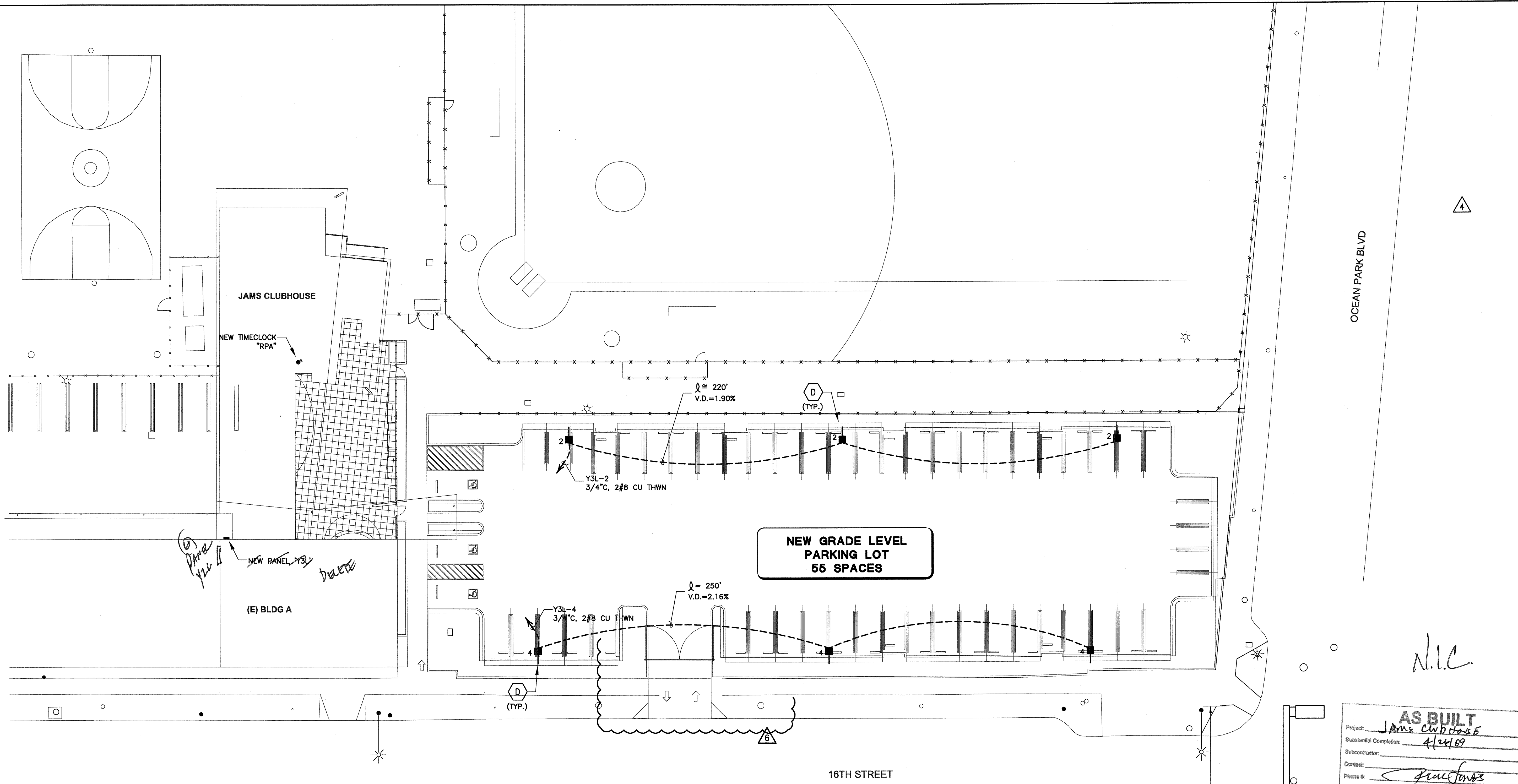
E100

**JAMS CLUBHOUSE**  
 SANTA MONICA - MALIBU UNIFIED SCHOOL DISTRICT  
 2441 16TH STREET  
 SANTA MONICA, CA



1238 LINCOLN BLVD  
 SANTA MONICA, CA. 90401

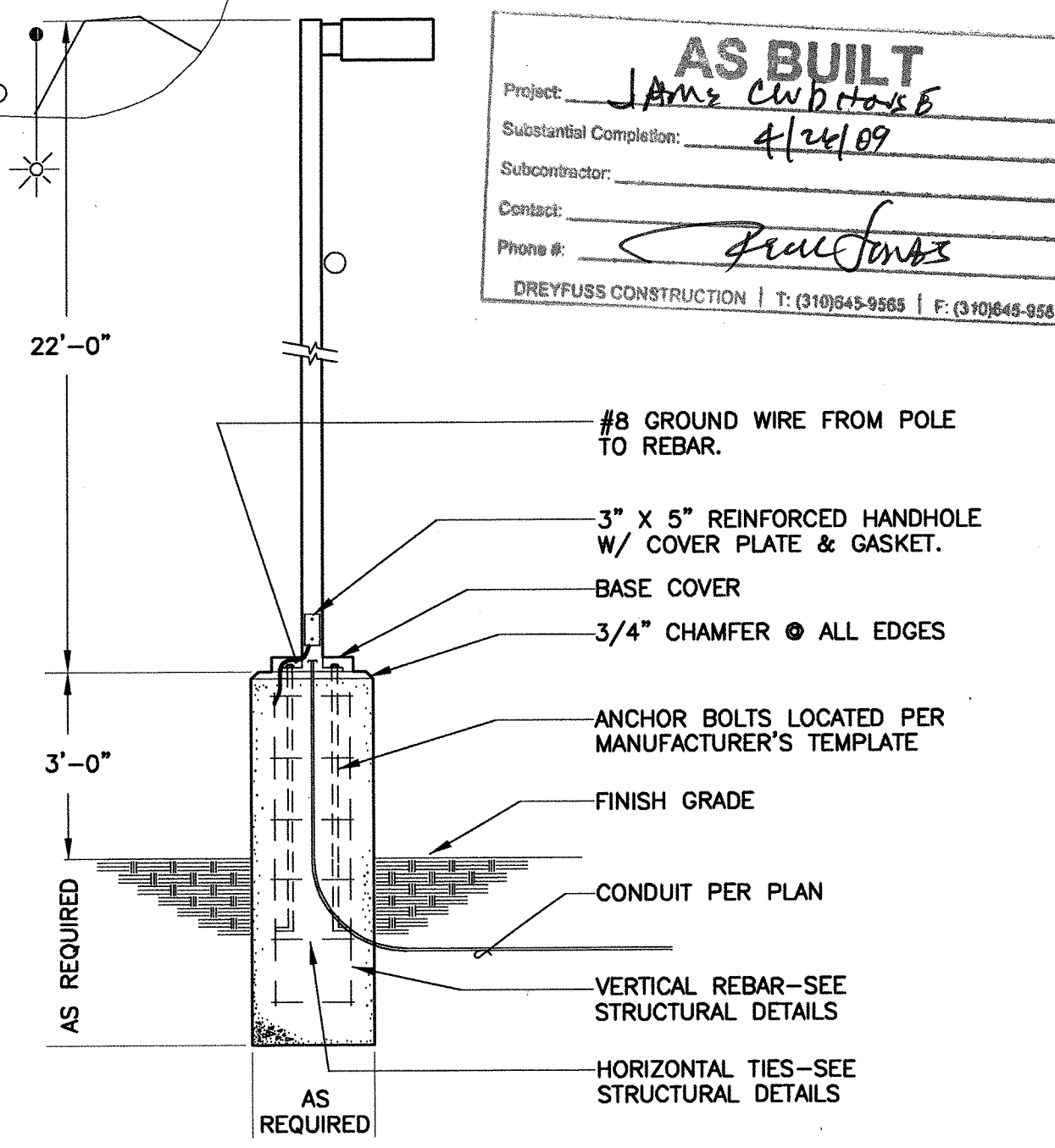




*Handwritten notes:*  
 NEW PANEL Y3L  
 DATE  
 (E) BLDG A

**NEW GRADE LEVEL  
 PARKING LOT  
 55 SPACES**

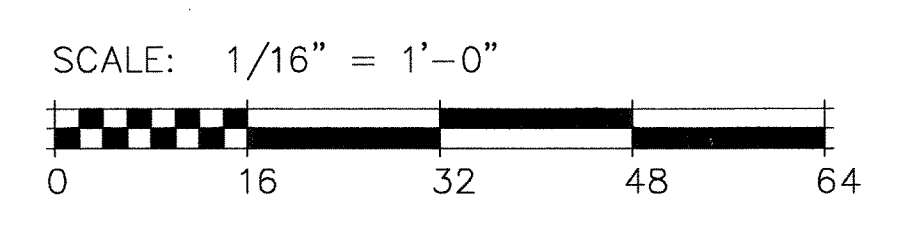
**AS BUILT**  
 Project: Jams Clubhouse  
 Substantial Completion: 4/24/09  
 Subcontractor:  
 Contact: *Francisco*  
 Phone #:  
 DREYFUS CONSTRUCTION | T: (310)945-9885 | F: (310)945-9551



**Typical Pole Light Detail**  
 SCALE: NOT TO SCALE

**SEE STRUCTURAL DESIGN ON  
 ARCHITECTURAL DRAWINGS**

**Electrical Parking Lot Site Plan**  
 SCALE: 1/16" = 1'-0"



**JAMS CLUBHOUSE**  
 SANTA MONICA - MALIBU UNIFIED SCHOOL DISTRICT  
 2441 16TH STREET  
 SANTA MONICA, CA



1238 LINCOLN BLVD  
 SANTA MONICA, CA 90401



REVISIONS:

4	BULLETIN #1	08.18.08
6	BULLETIN #1R2	10.29.08

JOB NO: 25005  
 DATE: 04.25.06  
 SCALE: AS NOTED  
 SHEET TITLE:

**PARKING LOT  
 SITE PLAN**  
 SHEET NUMBER:  
**E100a**

*N.I.C.*

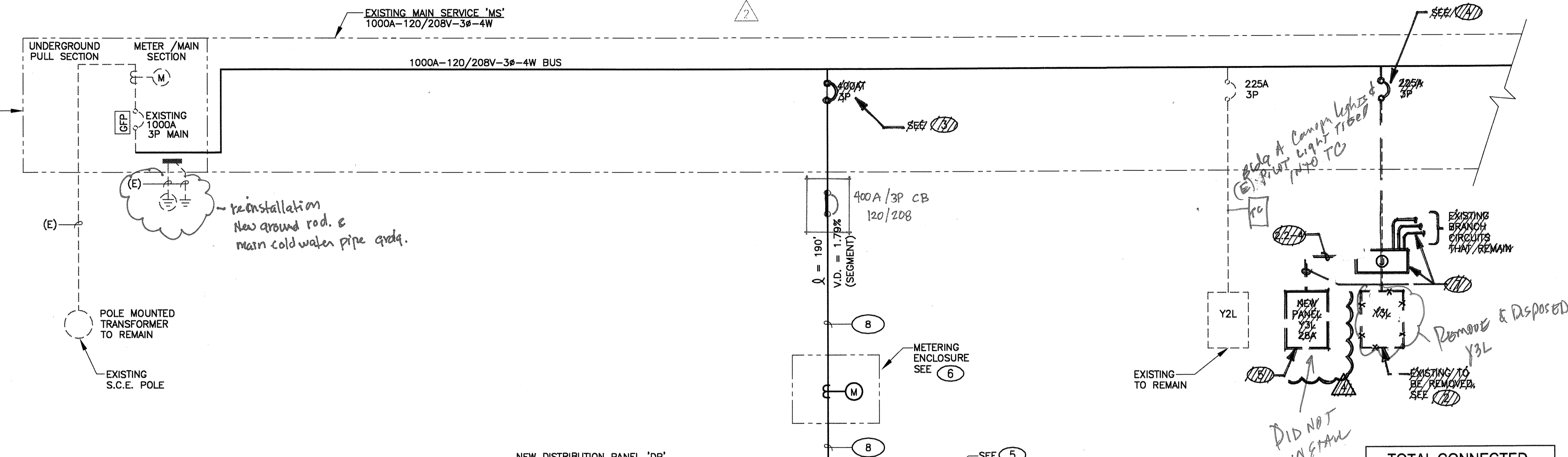


**TOTAL CONNECTED LOAD SUMMARY**  
**EXISTING MAIN SERVICE 'MS'**

EXISTING METER TO REMAIN  
 SCE #P0714-3704WY  
 MAX. DEMAND = 14KW FOR PAST 12 MONTHS PER SCE  
 LOAD = 14 ÷ 0.8 = 17.5 KVA  
 = 49A x 1.25 = 62A

EXISTING MAIN SERVICE 'MS' 62A  
 NEW DISTRIBUTION PANEL 'DP' 324A

TOTAL 388A @ 208V, 3Ø, 4W



**FEEDER SCHEDULE**

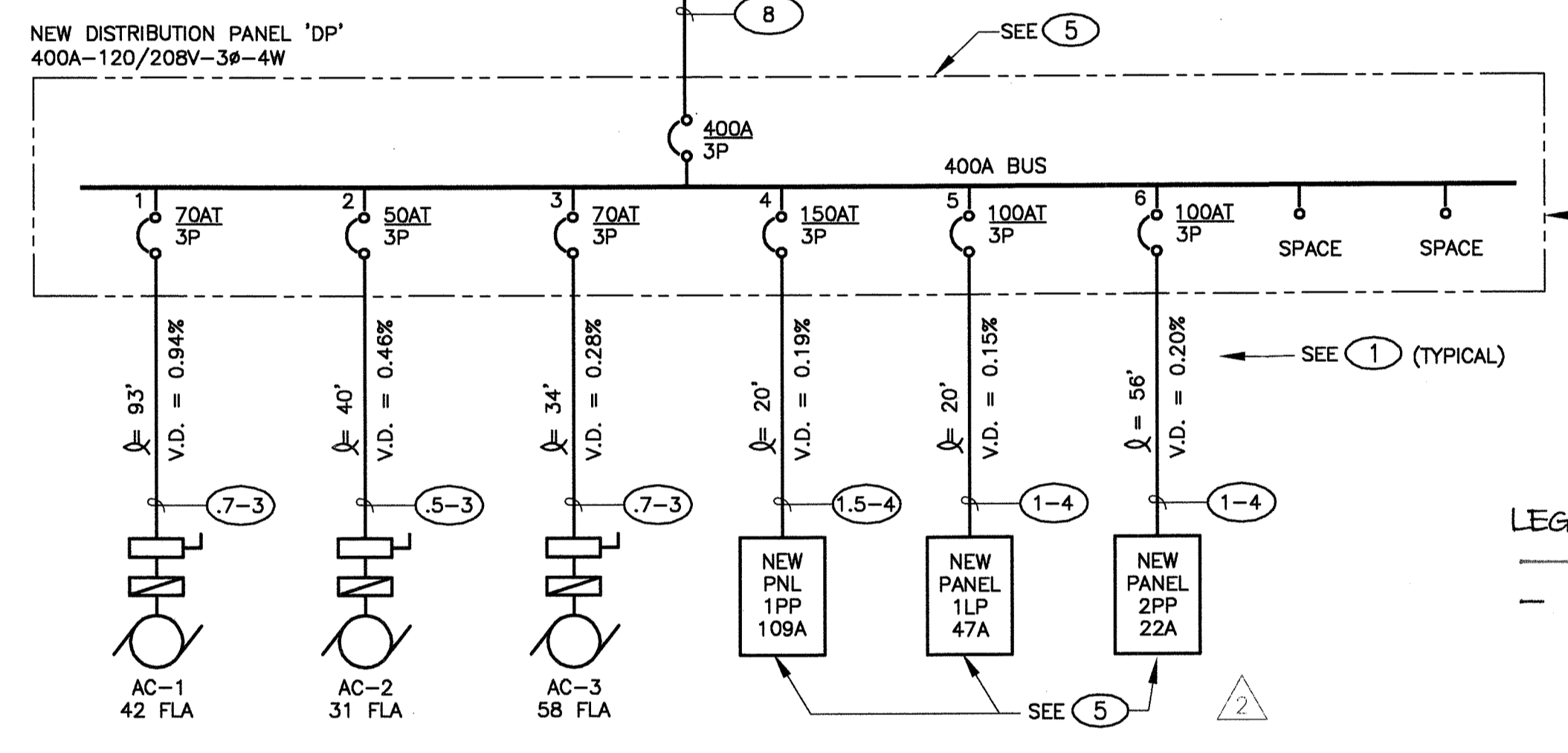
SYMBOL	CIRCUIT BREAKER SIZE	NUMBER OF CONDUCTORS	PHASE & NEUTRAL CONDUCTOR SIZE	EQUIPMENT GROUND CONDUCTOR (EG)	CONDUIT SIZE
(3-3)	30A	3	#10	#12	1/2"
(3-4)	30A	4	#10	#12	1/2"
(4-3)	40A	3	#8	#10	3/4"
(4-4)	40A	4	#8	#10	3/4"
(5-3)	50A	3	#6	#8	1"
(5-4)	50A	4	#6	#10	1"
(7-3)	70A	3	#4	#8	1"
(7-4)	70A	4	#4	#8	1 1/4"
(9-3)	90A	3	#2	#8	1 1/4"
(9-4)	90A	4	#2	#8	1 1/4"
(1-3)	100A	3	#2	#8	1 1/4"
(1-4)	100A	4	#2	#8	1 1/4"
(1.2-3)	125A	3	#1	#6	1 1/2"
(1.2-4)	125A	4	#1	#6	1 1/2"
(1.5-3)	150A	3	#1/0	#6	1 1/2"
(1.5-4)	150A	4	#1/0	#6	2"
(1.7-3)	175A	3	#2/0	#6	2"
(1.7-4)	175A	4	#2/0	#6	2"
(2-3)	200A	3	#3/0	#6	2"
(2-4)	200A	4	#3/0	#6	2"
(2.2-3)	225A	3	#4/0	#4	2"
(2.2-4)	225A	4	#4/0	#4	2 1/2"
(3-3)	300A	3	350KCMIL	#4	3"
(3-4)	300A	4	350KCMIL	#4	3"

**FEEDER SCHEDULE REFERENCE NOTES:**

1) WHERE INDICATED ON RISER DIAGRAM ( ) INDICATES WHERE MULTIPLE SETS OF CONDUCTORS ARE REQUIRED. [i.e., (3)(4-4) REQUIRES 3 SETS OF (4-4) CONDUCTORS].

2) WHERE FEEDER IS SHOWN AS (X-5) PROVIDE INSULATED GROUND WIRE IN CONDUIT.

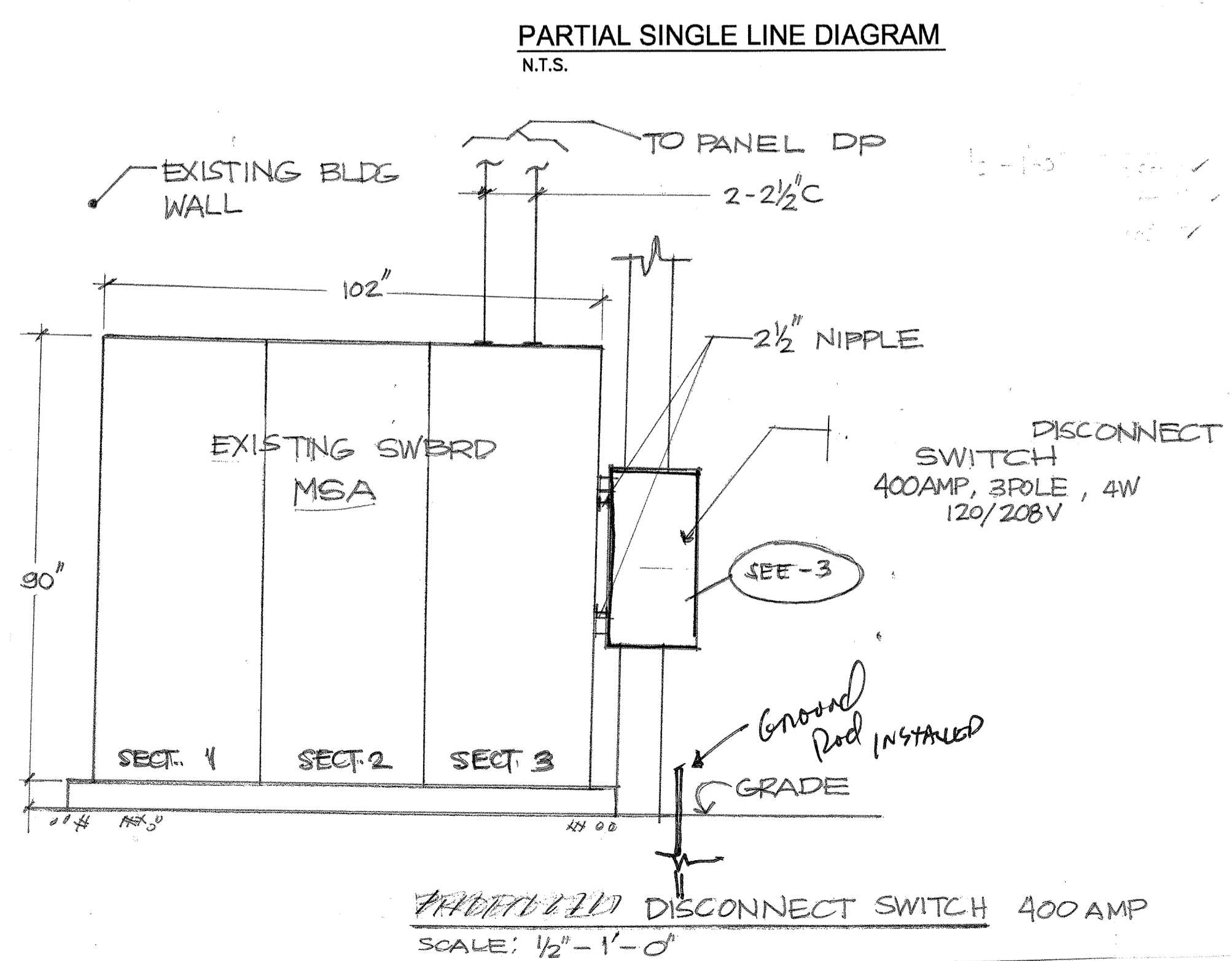
3) ALL FEEDER AND BRANCH CIRCUIT CONDUCTORS SHALL BE COPPER WITH TYPE THHN OR XHHW INSULATION.



**TOTAL CONNECTED LOAD SUMMARY**  
**NEW SWITCHBOARD 'DP'**

AC-1	42A
AC-2	31A
AC-3	58A
PANEL '1PP'	109A
PANEL '1LP'	47A
PANEL '2PP'	22A
SUB-TOTAL	309A
LCL	15A
TOTAL	324A @ 208V, 3Ø, 4W

**LEGEND:**  
 — ADD  
 - - REMOVE



- SINGLE LINE DIAGRAM REFERENCE NOTES:**
- LENGTHS OF FEEDERS ARE SHOWN FOR ENGINEERING CALCULATIONS ONLY AND SHALL NOT BE USED FOR BIDDING OR CONSTRUCTION PURPOSES.
  - SEE NOTE 1, SHEET E301 FOR REMOVAL OF EXISTING PANEL & BRANCH CIRCUITS TO REMAIN.
  - INSTALL NEW CIRCUIT BREAKER OF LIKE TYPE AND AIC RATING AS EXISTING IN AVAILABLE SPACE.
  - EXISTING CIRCUIT BREAKER TO REMAIN.
  - PANELBOARD & BRANCH CIRCUIT BREAKERS TO BE FULLY RATED FOR 10,000 AIC.
  - PROVIDE AND INSTALL A NEW UTILITY GRADE METERING PANEL TYPE SQUARE D ION 6200 IN A FACTORY ASSEMBLED ENCLOSURE WITH INTEGRATED DISPLAY FOR ENERGY AND DEMAND READINGS (24"x20"x10"). CONTRACTOR TO INSTALL AND WIRE (3) 400A SPLIT CORE CT'S (CURRENT TRANSFORMER). CONTACT SQUARE D POWERLOGIC INSIDE SALES SUPPORT: MARLISE GIESER (866) 466-7627 x7887
  - PROVIDE AND INSTALL AN INTERCEPTING JUNCTION BOX ABOVE EXISTING PANEL LOCATION, EXTEND FEEDER AND EXISTING BRANCH CIRCUITS THAT REMAIN TO NEW PANELBOARD.
  - NEW (2) 2-1/2" C. #4 250KCMIL CU THWN IN EACH (PARALLEL CONDUCTORS).

**JAMS CLUBHOUSE**  
 SANTA MONICA - MALIBU UNIFIED SCHOOL DISTRICT  
 2441 16TH STREET  
 SANTA MONICA, CA



1238 LINCOLN BLVD  
 SANTA MONICA, CA 90401

**G&W**  
**G&W Consulting Electrical Engineers**  
 1729 Abbot Kinney Blvd.  
 Venice, California 90291  
 V: 310.827.4150  
 F: 310.822.2145

REVISIONS:

DSA CORRECTIONS 04.25.06

ADDENDUM #2 06.03.08

BULLETIN #1 08.18.08

JOB NO: 25005  
 DATE: 04.25.06  
 SCALE: AS NOTED

SHEET TITLE:  
**PARTIAL SINGLE LINE**

SHEET NUMBER:  
**E400**

**AS BUILT**  
 Project: Jams Clubhouse  
 Substantial Completion: 4/24/09  
 Subcontractor: F&Z Electric  
 Contact: [Signature]  
 Phone #: [Signature]  
 DREYFUSS CONSTRUCTION | T: (310)645-8925 | F: (310)645-9281

NEW

PANEL '2PP' 120 / 208 VOLT 3 PHASE 4 WIRE 100 AMPERE MAIN L.O. : 100 AMPERE BUS

LOCATION SOCIAL RECREATION ROOM MOUNTING RECESSED LOAD 8 KVA 22 AMPERES

LINE	VA LOAD			LOAD DESCRIPTION	OUTLETS			BUS	CIRCUIT BREAKER			OUTLETS	LOAD DESCRIPTION	VA LOAD					
	A	B	C		REC	LINES	POLES		TRIP	A	B			C	TRIP	LINES	REC	A	B
1				SPACE								20	1	4	GEN. USE	720			
3															**	720			
5															**	540			
7															MICRO.	1500			
9															COFFEE POT	1200			
11															GARBAGE DISP.	200			
13															GEN. USE	1080			
15															**	900			
17															TTB		500		
19															SPARE				
21																			
23																			
25																			
27																			
29																			
SUB-TOTALS																3300	2820	1240	
NOTES:																LINE TOTALS	3300	2820	1240
																LCL ADDER	0	0	0
																TOTAL VA	3300	2820	1240
																TOTAL KVA LOAD			7.4

NEW

PANEL 'Y3L' 120 / 208 VOLT 3 PHASE 4 WIRE 225 AMPERE MAIN L.O. : 225 AMPERE BUS

LOCATION SOCIAL RECREATION ROOM MOUNTING RECESSED LOAD 10 KVA 28 AMPERES

LINE	VA LOAD			LOAD DESCRIPTION	OUTLETS			BUS	CIRCUIT BREAKER			OUTLETS	LOAD DESCRIPTION	VA LOAD					
	A	B	C		REC	LINES	POLES		TRIP	A	B			C	TRIP	LINES	REC	A	B
1	500			EXISTING RECPT.								20	1	3					
3		500										20	1	3					
5			500									20	1	3					
7	500																		
9		500																	
11			500																
13	500																		
15		500																	
17			500																
19	500																		
21		500																	
23			500																
25	500																		
27		500																	
29			500																
SUB-TOTALS																2500	2500	2500	
NOTES:																LINE TOTALS	3400	3400	2500
																LCL ADDER	225	225	0
																TOTAL VA	3625	3625	2500
																TOTAL KVA LOAD			9.8

LEGEND:

— ADD

— REMOVE

NEW

PANEL '1LP' 120 / 208 VOLT 3 PHASE 4 WIRE 100 AMPERE MAIN L.O. : 100 AMPERE BUS

LOCATION ELECTRICAL SERVER ROOM MOUNTING SURFACE LOAD 23 KVA 62 AMPERES

LINE	VA LOAD			LOAD DESCRIPTION	OUTLETS			BUS	CIRCUIT BREAKER			OUTLETS	LOAD DESCRIPTION	VA LOAD					
	A	B	C		REC	LINES	POLES		TRIP	A	B			C	TRIP	LINES	REC	A	B
1	1375			SOC. REC. LTG.								20	1		SPARE				
3		1250		SOC. REC. LTG.								11	1	20					
5			825	OFFICE/REPT.								10	1	20					
7	980			ED CENTER								12	1	20					
9		690		ED CENTER								14	1	20					
11			940	CONTROL RM.								9	1	20					
13	1120			COMPUTER REPAIR								8	1	20					
15		980		COMPUTER REPAIR								16	1	20					
17			600	COMPUTER REP. TBL								12	1	20					
19	385			BOLLARD								11	1	20					
21		500		PATIO								5	1	20					
23			350	PATIO								10	1	20					
25	1050			RESTROOM								22	1	20					
27		600		ROOF								6	1	20					
29			200	LANDSCAPE IRRIG. CONT								2	1	20					
31				SPACE ELECT RM RECEIPT								20	1						
33																			
35																			
37																			
39																			
41																			
SUB-TOTALS																4980	4020	2915	
NOTES:																LINE TOTALS	7852	6392	5287
																LCL ADDER	1245	1005	729
																TOTAL VA	9097	7397	6016
																TOTAL KVA LOAD			22.5

NEW

PANEL '1PP' 120 / 208 VOLT 3 PHASE 4 WIRE 150 AMPERE MAIN L.O. : 225 AMPERE BUS

LOCATION ELECTRICAL SERVER ROOM MOUNTING SURFACE LOAD 38 KVA 106 AMPERES

LINE	VA LOAD			LOAD DESCRIPTION	OUTLETS			BUS	CIRCUIT BREAKER			OUTLETS	LOAD DESCRIPTION	VA LOAD					
	A	B	C		REC	LINES	POLES		TRIP	A	B			C	TRIP	LINES	REC	A	B
1	540			GEN. USE								3	1	20					
3		540										3							
5			540									3							
7	540											3							
9		540										3							
11			540									3							
13	360											2							
15		900										5							
17			1180	CONTROL ROOM								3							
19	1000			SOUND ROOM								2							
21		720		GEN. USE								4							
23			720									4							
25	540											3							
27		540										3							
29			720	GEN. USE								4							
31	720											4							
33		900										5							
35			720									4							
37	3500			WH-1								40	3						
39		3500										2							
41			3500																
SUB-TOTALS																7200	7460	7740	
NOTES:																LINE TOTALS	11235	13074	10979
																LCL ADDER	875	875	875
																TOTAL VA	12110	13949	11854
																TOTAL KVA LOAD			37.9

PANEL SCHEDULE REFERENCE NOTES:

- PROVIDE A PERMANENT LOCK-ON DEVICE AT CIRCUIT BREAKER HANDLE.
- PROVIDE A 'HACR' RATED CIRCUIT BREAKER.

PANEL KEY

2PP Y3L

1LP 1PP

AS BUILT

Project: Jams Clubhouse

Substantial Completion: 4/14/09

Subcontractor: F&E Electric

Contact: Forrest or Mario

Phone #:

DREYFUSS CONSTRUCTION | T: (310)645-9555 | F: (310)645-9581

Eric Jones

JAMS CLUBHOUSE

SANTA MONICA - MALIBU UNIFIED SCHOOL DISTRICT

2441 16TH STREET

SANTA MONICA, CA



1238 LINCOLN BLVD

SANTA MONICA, CA 90401

G&W

G&W Consulting Electrical Engineers

1729 Abbot Kinney Blvd.

Venice, California 90291

V: 310.827.4150

F: 310.822.2145

REVISIONS:

- DSA CORRECTIONS 04.25.06
- 1 ADDENDUM#1 04.18.08
- 2 ADDENDUM#2 06.03.08
- 4 BULLETIN #1 08.18.08

JOB NO: 25005

DATE: 04.25.06

SCALE: AS NOTED

SHEET TITLE:

Panel Schedules

SHEET NUMBER:

E500